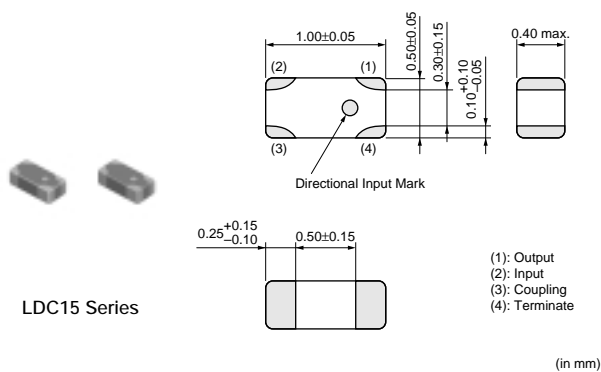
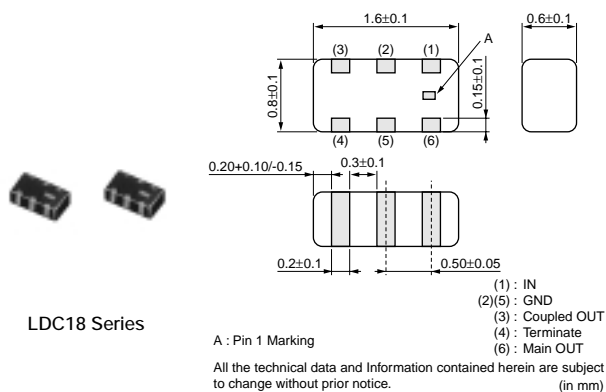


# 片状多层混合耦合器

## 定向耦合器

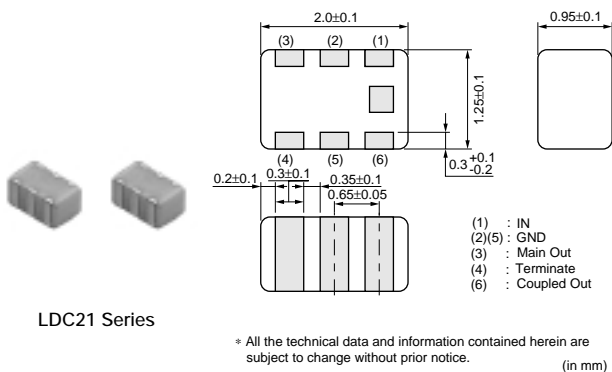


LDC15 Series



LDC18 Series

All the technical data and Information contained herein are subject to change without prior notice. (in mm)



LDC21 Series

\* All the technical data and information contained herein are subject to change without prior notice. (in mm)

品名	频率范围 (MHz)	耦合 (dB)	插入损耗 (dB)	隔离 (最小) (dB)	驻波比 (最大)	特性阻抗 (Nom.) (ohm)	允许功率 (W)	用途
LDC15836M23Q-352	836.5 ±12.5MHz	23.6 ±1.0dB	0.20 max. (at 25°C)	37.5	1.4	50	3 max. (50ohm Load)	UMTS(Band5)
LDC15874M27Q-359	874 ±51MHz	27.2 ±1.0dB	0.20 max. (at 25°C)	42.0	1.4	50	3 max. (50ohm Load)	UMTS(Band5/8)
LDC15897M26Q-359	897.5 ±17.5MHz	26.9 ±1.0dB	0.20 max. (at 25°C)	42.0	1.4	50	3 max. (50ohm Load)	UMTS(Band8)
LDC151G7313Q-360	1732.5 ±22.5MHz	13.6 ±1.0dB	0.42 max. (at 25°C)	24.0	1.4	50	3 max. (50ohm Load)	UMTS(Band4)
LDC151G7421Q-359	1747.5 ±37.5MHz	21.2 ±1.0dB	0.22 max. (at 25°C)	35.0	1.4	50	3 max. (50ohm Load)	UMTS(Band3)
LDC151G8117Q-352	1810 ±100MHz	17.0 ±1.2dB	0.25 max. (at 25°C)	32.0	1.4	50	3 max. (50ohm Load)	GSM
LDC151G8820Q-359	1880 ±30MHz	20.5 ±1.0dB	0.22 max. (at 25°C)	34.0	1.4	50	3 max. (50ohm Load)	UMTS(Band2)
LDC151G9520Q-359	1950 ±30MHz	20.2 ±1.0dB	0.22 max. (at 25°C)	34.0	1.4	50	3 max. (50ohm Load)	UMTS(Band1)
LDC152G5318Q-359	2535 ±35MHz	18.1 ±1.0dB	0.30 max. (at 25°C)	31.0	1.4	50	3 max. (50ohm Load)	UMTS(Band7)
LDC181G7420B-327	1747.5 ±37.5MHz	20.0 ±1.0dB	0.26 max. (at 25°C)	26.0	1.4	50	3 max. (50ohm Load)	GSM
LDC21836M20B-027	836.5 ±12.5MHz	20.6 ±1.0dB	0.15 max. (at 25°C)	28.0	1.4	50	3 max. (50ohm Load)	CDMA
LDC211G8820B-042	1880.0 ±30.0MHz	20.0 ±1.0dB	0.23 max. (at 25°C)	26.0	1.4	50	3 max. (50ohm Load)	CDMA
LDC211G9517B-031	1950.0 ±30.0MHz	17.3 ±1.0dB	0.27 max. (at 25°C)	21.0	1.4	50	3 max. (50ohm Load)	UMTS(Band1)

动作温度范围: -40 到 +85

△注意事项 • 本产品目录所记载的产品规格, 因篇幅的限制, 只提供了主要产品资料。在您订购前, 必须确认规格表内容, 或者互换协商定案图。尤其, 有些产品请务必阅读其品级, 或△注意事项 (保管、使用环境、品级上的注意事项、装配时的注意事项、使用时的注意事项), 否则有可能出现冒烟、起火等情况。  
• 产品检索引擎 (<http://search.murata.co.jp/>) 或产品目录数据库 (<http://www.murata.com/cn/catalog/>) 上登載有详细规格, 因此, 在索取规格表, 或互换协商定案图之前可浏览其详细规格。