


**ABSTRACT**

This user's guide provides information on the correct usage of the test board and an explanation of the test points on the board. The test board operates over the entire input voltage range of the MYTNAxxx series. The minimum output capacitors are included on the board.

**Table of Contents**

<b>Description .....</b>	<b>2</b>	<b>Performance Data .....</b>	<b>6</b>
<b>Performance Summary .....</b>	<b>2</b>	<b>MYTNAxxx-EVM Bill of Materials (BOM).....</b>	<b>8</b>
<b>Quick Start Guide .....</b>	<b>3</b>	<b>MYTNAxxx-EVM Schematic .....</b>	<b>8</b>
Evaluation Overview .....	3	<b>EVM PCB Layout .....</b>	<b>8</b>
Terminal Functions .....	4	<b>Notices.....</b>	<b>9</b>
<b>Power Input and Output Descriptions .....</b>	<b>4</b>	 <b>CAUTION .....</b>	<b>9</b>
<b>Test Point Descriptions .....</b>	<b>4</b>	<b>Sales Contact.....</b>	<b>9</b>
<b>EVM Connection.....</b>	<b>5</b>	<b>Disclaimers .....</b>	<b>9</b>
<b>Start-Up Procedure .....</b>	<b>5</b>	<b>Copyright and Trademark.....</b>	<b>9</b>
<b>Rtrim Setting.....</b>	<b>5</b>		

## Description

MYTNAxxx-EVM is a hardware platform that allows customers to evaluate the performance of the step-down DC-DC converter MYTNAxxx series.

MYTNAxxx is an Ultra-thin High Efficiency integrated power solution which combines 4A or 6A DC-DC converter with components. This total power solution can be used in a system without loop compensation and with just two external components in the minimum case. Output capacitors are mounted on the board to accommodate the entire range of input and output voltages. Monitoring test points are provided to allow measurement of voltage, efficiency, power dissipation and load regulation.

This totally integrated module provides up to 90.0% efficiency despite small and thin 10.5mm x 9.5mm x 2.1mm LGA package. Murata's easy-to-use module pinout design allows simple power layout and maximizing efficiency by minimize routing parasitic resistance. The EVM uses a recommended PCB layout that minimizes output ripple and noise.

Detailed application information for MYTNAxxx is available in the datasheet.

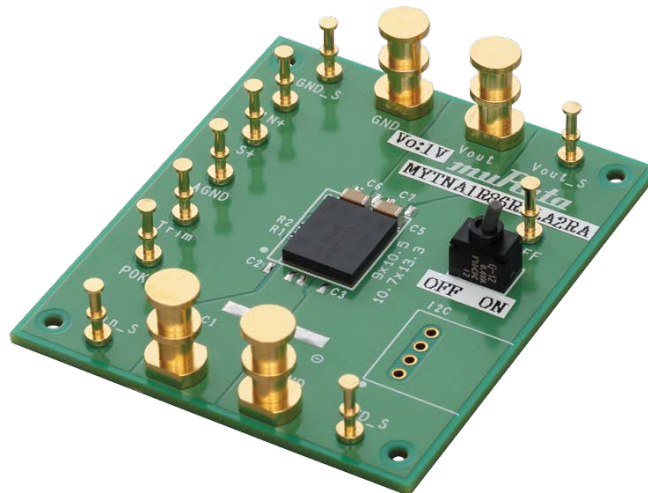


Figure 1. Evaluation Board

## Performance Summary

Table 1. Performance Summary

PARAMETER	SYMBOL	CONDITIONS	MIN	TYP	MAX	UNITS
<b>INPUT SUPPLY</b>						
Input Voltage Range	VIN		6	12	14.4	V
<b>OUTPUT</b>						
Efficiency Full Load	EFF	VIN=12V, VOUT=1.8V, IOUT=6A		87.5		%
		VIN=12V, VOUT=1.8V, IOUT=4A		90.0		%
Switching Frequency	FSW			1000		kHz
Output Current	IOUT	MYTNA1R86RELA2RA	0		6	A
		MYTNA1R84RELA2RA	0		4	A
Output Voltage	VOUT	Full load condition, DC	0.7		1.8	V

## Quick Start Guide

Figure 2. highlights the user interface items associated with the EVM.

The VIN power terminals are used for connection to the host input supply and the VOUT power terminals are used for connection to the load. Sense(+/-) test points for both VIN and VOUT, located near the power terminals are intended to be used as voltage monitoring points where voltmeters can be connected to measure VIN and VOUT.

**Do not connect these S+ and S- monitoring test points as the input supply or output load connection points.**

The other terminals located to the top of the device are made available to test the features of the device. The external voltage must be applied to the POK terminal for the PGOOD signal using (POK).

The switch can be controlled ON/OFF.

## Evaluation Overview

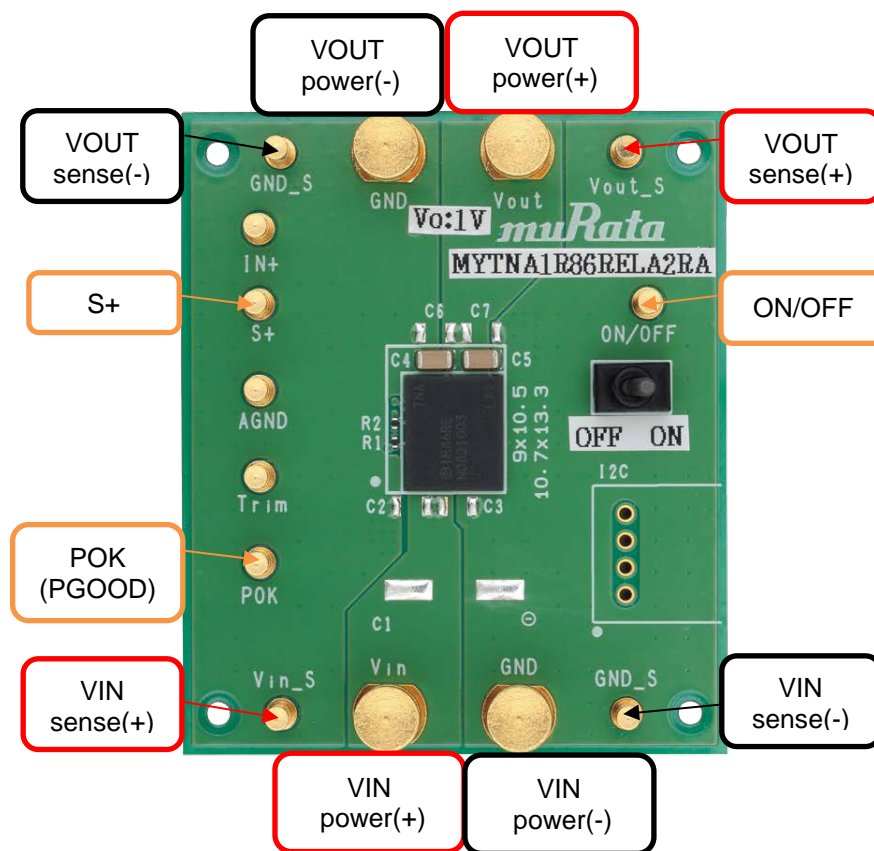


Figure 2. MYTNAxxx-EVM User Interface (Top View)

## Terminal Functions

**Table 2. Terminal Functions**

FUNCTION/TERMINAL	DESCRIPTION
VIN power (+/-)	Power input pin and input ground pin
VOUT power (+/-)	Power output pin and output ground pin
VIN sense (+/-)	Sensing pin for measuring the input voltage
VOUT sense (+/-)	Sensing pin for measuring the output voltage
ON/OFF	Enable pin If this is high level, the module operates. (This pin is pulled up internally.)
POK	Power good pin The function is operated by internal open-drain FET. The external voltage must be applied to the terminal for the PGOOD signal using.
S+	Output voltage sensing pin (It is not a problem to be left open about this pin because it is connected to VOOUT internally with 10ohm resistor.)
IN+, Trim, AGND	Not used

### Power Input and Output Descriptions

The VIN power terminals are used to connect to the input supply, and the VOOUT power terminals are used to connect to the load.

**Caution:** Do not use these sense(+) and sense(-) terminals as the input supply or output load connection points. The PCB traces connecting to these sense terminals are not designed to support high currents. High currents may cause damage to the PCB traces.

### Test Point Descriptions

The sense(+) and sense(-) test points for both VIN and VOOUT, located near the power terminal are intended to be used as voltage monitoring points where voltmeters can be connected to measure VIN and VOOUT.

## EVM Connection

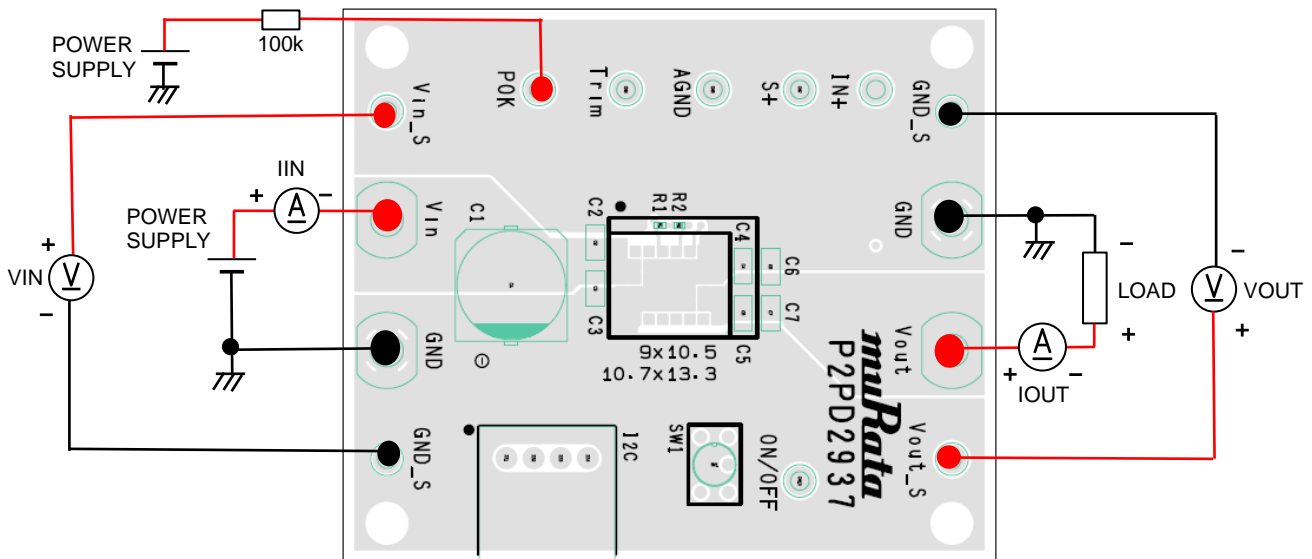


Figure 3. EVM Connection

## Start-Up Procedure

1. Set the power supply current limit to at least 2A. Connect the power supply to VIN power(+) and VIN power(-).
2. (If you need PGOOD signal) Set the power supply current limit to at least 1mA. Connect the power supply to POK and VIN power(-). Insert a resistor about 100kOhm between power supply and POK to prevent inrush current.
3. Connect one electronic load with more than 4A or 6A capacity between Vout power(+) and Vout power(-).
4. (If you need PGOOD signal) Set POK voltage to 5.5V or less and turn it on.
5. Set input voltage to 12V, then note that the input voltage start-up slew rate. Please refer the datasheet for detail. For example, from 0.1V/ms to 150V/ms is suitable slew rate for initial 1.0V output setting.
6. Turn the power supply on. It doesn't matter whether the load is on or off. You can also use ON/OFF switch to start-up, initial setting is ON.
7. Measure the output voltages. Vout should be 1.0V with initial setting.

## Rtrim Setting

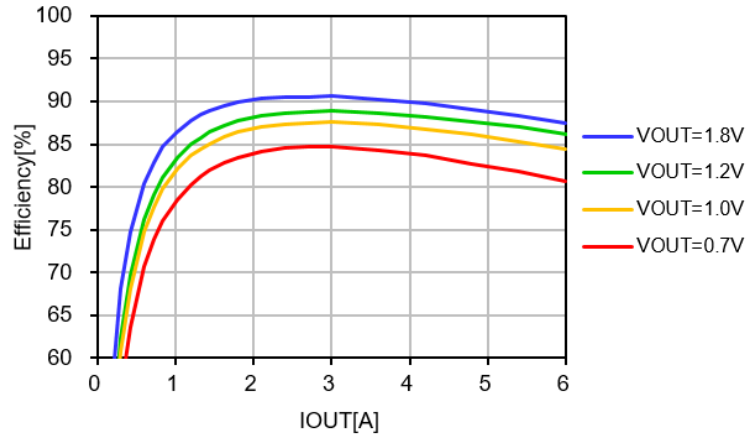
The output voltage can be changed by adjusting Rtrim (R1+R2) according to the equation below.

$$R_{trim}[\text{kohm}] = 0.7164 / (V_{OUT} - 0.597)$$

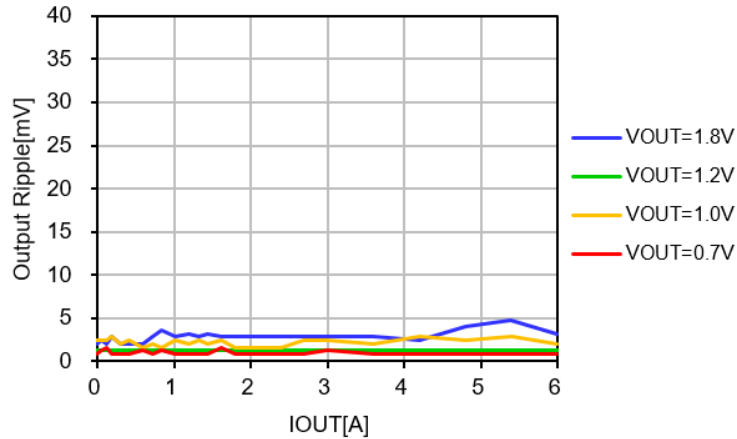
The equation above is only reference, so please be sure to check the output voltage in user circumstances. To increase or decrease the output voltage, increase or decrease the Rtrim value.

**Performance Data**

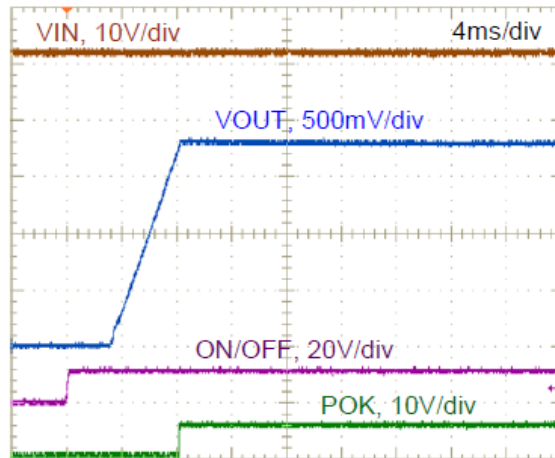
Figure 4. through Figure 8. demonstrate the MYTNA1R86RELA2RA-EVM performance. The following test results show the typical performance of the evaluation board.



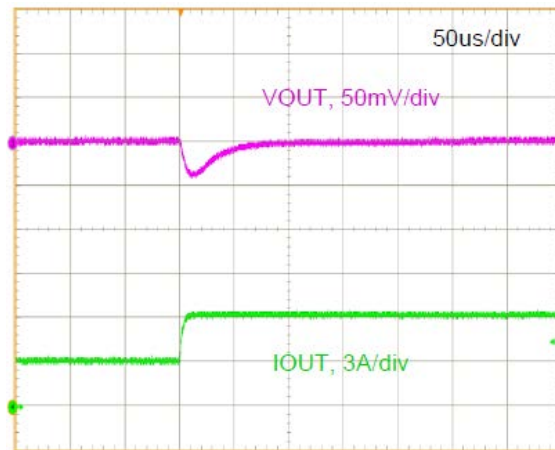
**Figure 4. Efficiency (Vin=12V, Ta=25deg.C)**



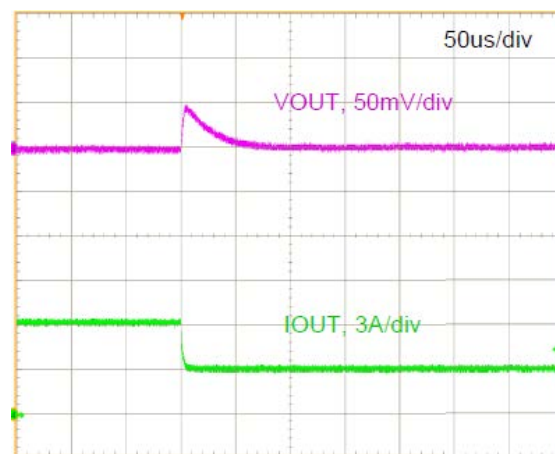
**Figure 5. Output Ripple (Vin=12V, COU=200uF, Ta=25deg.C)**



**Figure 6. Start-up Waveform**  
(VIN=12V, VOUT=1.8V, IOU=6A, Ta=25deg.C)



**Figure 7. Load transient response Waveform**  
(VIN=12V, VOUT=1.8V, COU=200uF, IOU=3A to 6A (1.0A/us), Ta=25deg.C)



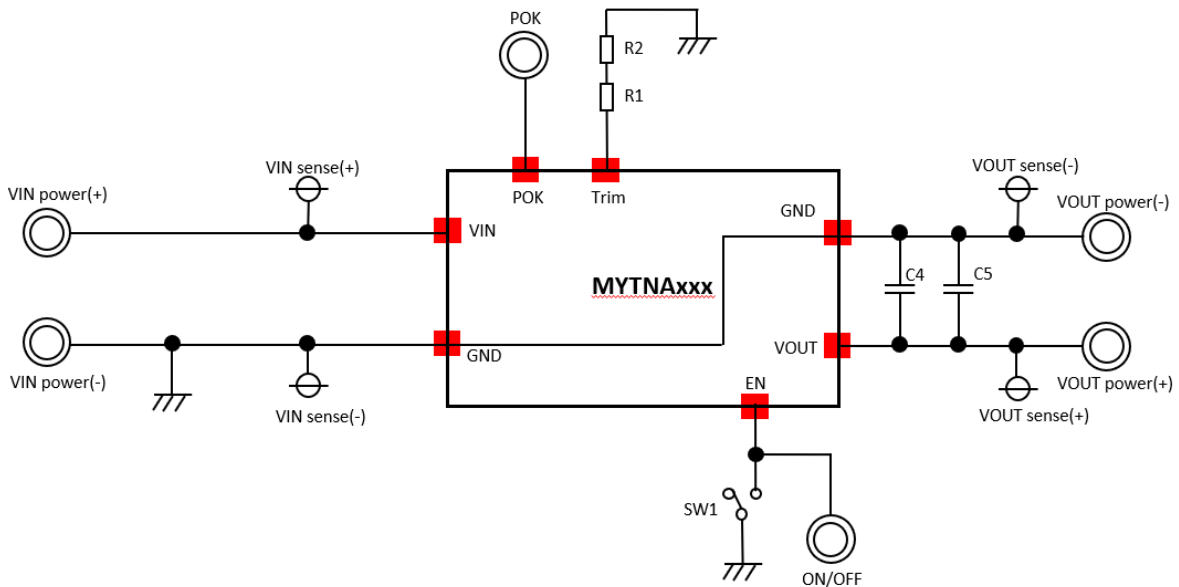
**Figure 8. Load transient response Waveform (6A to 3A)**  
(VIN=12V, VOUT=1.8V, COU=200uF, IOU=6A to 3A (1.0A/us), Ta=25deg.C)

**MYTNAxxx-EVM Bill of Materials (BOM)**

**Table 3. MYTNAxxx-EVM Bill of Materials**

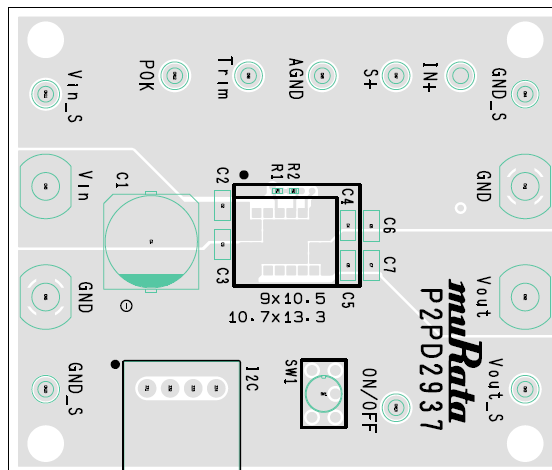
REFERENCE	QTY	VALUE	DESCRIPTION	SIZE	PART NUMBER	MANUFACTURER
C4, C5	2	100uF	Output capacitor 100uF, 4V, +/-20%, X7U	1206	GRM31CE70G107MEA8	Murata
R1	1	1.6kohm	Trim resistor for output voltage setting +/-0.5%, 1/16W	0402	RK73G1ETTP1601D	KOA
R2	1	180ohm	Trim resistor for output voltage setting +/-0.5%, 1/16W	0402	RK73G1ETTP1800D	KOA
SW1	1		Mechanical switch		G-12AP	
	10		Sense and other function terminals		WT-3-2	
	4		Power terminals for VIN and VOUT		GT-2-1	
M1	1		Power module		MYTNAxxx	Murata

**MYTNAxxx-EVM Schematic**



**Figure 9. MYTNAxxx-EVM Schematic**

**EVM PCB Layout**



**Figure 10. Evaluation Board Layout**



## Notices

### CAUTION

1. EVMs are not finished products. Murata delivers EVM for use in a research and development evaluation purpose only.
2. Please make sure that your product has been evaluated and confirmed to your specifications when our product is used in your product.
3. All the items and parameters in this approval sheet for product specification are based on the premise that our product is used for the purpose, under the condition and in the environment agreed upon between you and us. You are requested not to use our product in a manner deviating from such agreement.
4. If you have any concerns about materials other than those listed in the RoHS directive, please contact us.
5. Be sure to provide an appropriate fail-safe functionality in your product to prevent secondary damage that could be caused by the abnormal function or failure of our product.
6. Do not allow our product to be exposed to excess moisture under any circumstances.

## Sales Contact

For additional information, contact Sales at [muratalpdc@murata.com](mailto:muratalpdc@murata.com).

## Disclaimers

The information in this document is believed to be reliable. However, Murata assumes no liability for the use of this information. Use shall be entirely at the user's own risk. No patent rights or licenses to any circuits described in this document are implied or granted to any third party. Murata's products are not designed or intended for use in devices or systems intended for surgical implant, or in other applications intended to support or sustain life, or in any application in which the failure of the Murata product could create a situation in which personal injury or death might occur. Murata assumes no liability for damages, including consequential or incidental damages, arising out of the use of its products in such applications.

## Copyright and Trademark

©2022 Murata Manufacturing Co., Ltd. All rights reserved.



This product is subject to the following [operating requirements](#) and the [Life and Safety Critical Application Sales Policy](#):  
Refer to: <https://power.murata.com/en/requirements>

Murata Manufacturing Co., Ltd makes no representation that the use of its products in the circuits described herein, or the use of other technical information contained herein, will not infringe upon existing or future patent rights. The descriptions contained herein do not imply the granting of licenses to make, use, or sell equipment constructed in accordance therewith. Spec and cautions are subject to change without notice. © 2022 Murata Manufacturing Co., Ltd